



**Product data sheet**  
**Shower stool 802.51.30097**

# HEWI

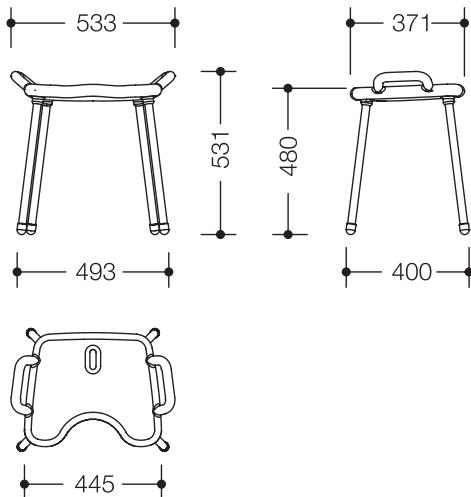


**Shower stool 802.51.30097**

- strong, ergonomically shaped stool
- with two integrated support rails
- used for safe sitting in the shower area
- seat weight capacity up to 150 kg
- 533 mm wide, 531 mm high, 400 mm deep
- seat 445 mm wide, 371 mm deep
- net weight: 8.4 kg
- seat made of high-quality PUR in HEWI colour 97 (light grey)
- seat with hygienic opening and water run-off
- four highly polished chrome steel legs with non-slip feet
- CE marking according to Directive 93/42 / EEC



**Dimensions in mm**



**Surface/Colour**

chrome	97
--------	----

Legs                      Seat

**Alternative surface/colours**

chrome	white	98	99	92
--------	-------	----	----	----

Legs    Seat

Technical information subject to alteration, 16th August 2019

HEWI Heinrich Wilke GmbH  
 Postfach 1260  
 D-34442 Bad Arolsen

Telefon: +49 5691 82-366  
 Telefax: +49 5691 82-99366  
 international@hewi.com  
 www.hewi.com

HEWI (UK) Limited  
 Holm Oak Barn, Beluncle Halt  
 Stoke Road  
 Hoo Kent ME3 9NT

Phone +44 1634 258 200  
 Fax +44 1634 250 099  
 info@hewi.co.uk  
 www.hewi.com